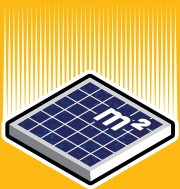


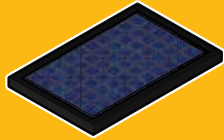
## HIGH PERFORMANCE SOLAR PANELS

# REC PEAK ENERGY BLK2 SERIES

REC Peak Energy BLK2 Series panels are the perfect choice for building solar systems that combine long lasting product quality with reliable power output. REC combines leading standards of design and manufacturing to produce high-performance solar panels with uncompromising quality.



**MORE POWER  
PER M<sup>2</sup>**



**BLACK BACKSHEET FOR  
IMPROVED AESTHETICS**

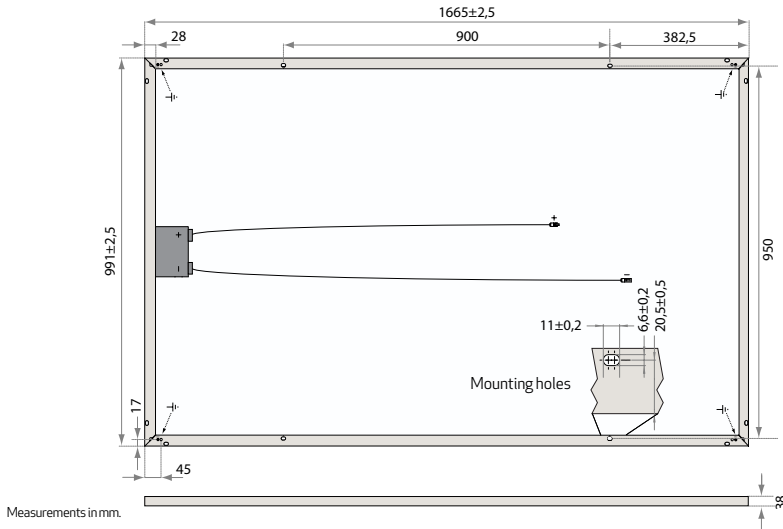


**100%  
PID FREE**



**OPTIMIZED FOR ALL  
SUNLIGHT CONDITIONS**

# REC PEAK ENERGY BLK2 SERIES



15.8% EFFICIENCY

10 YEAR PRODUCT WARRANTY

25 YEAR LINEAR POWER OUTPUT WARRANTY

## TEMPERATURE RATINGS

Nominal Operating Cell Temperature (NOCT)	45.7°C (±2°C)
Temperature Coefficient of $P_{MPP}$	-0.4 %/°C
Temperature Coefficient of $V_{OC}$	-0.27 %/°C
Temperature Coefficient of $I_{SC}$	0.024 %/°C

## ELECTRICAL DATA @ STC

	REC245PE BLK2	REC250PE BLK2	REC255PE BLK2	REC260PE BLK2
Nominal Power - $P_{MPP}$ (Wp)	245	250	255	260
Watt Class Sorting - (W)	0/+5	0/+5	0/+5	0/+5
Nominal Power Voltage - $V_{MPP}$ (V)	30.1	30.2	30.5	30.7
Nominal Power Current - $I_{MPP}$ (A)	8.23	8.30	8.42	8.50
Open Circuit Voltage - $V_{OC}$ (V)	37.1	37.4	37.6	37.8
Short Circuit Current - $I_{SC}$ (A)	8.80	8.86	8.95	9.01
Module Efficiency (%)	14.8	15.2	15.5	15.8

Values at standard test conditions STC (airmass AM1.5, irradiance 1000 W/m<sup>2</sup>, cell temperature 25°C).  
At low irradiance of 200 W/m<sup>2</sup> (AM 1.5 and cell temperature 25°C) at least 95.5% of the STC module efficiency will be achieved.

## GENERAL DATA

Cell Type:	60 multi-crystalline 3 strings of 20 cells with bypass diodes
Glass:	3.2 mm solar glass with anti-reflection surface treatment
Back Sheet:	Double layer highly resistant polyester (black)
Frame:	Anodized aluminum (black)
Junction Box:	IP67 rated 4 mm <sup>2</sup> solar cable, 0.9 m + 1.2 m
Connectors:	Multi-Contact MC4 (4 mm <sup>2</sup> )

## ELECTRICAL DATA @ NOCT

	REC245PE BLK2	REC250PE BLK2	REC255PE BLK2	REC260PE BLK2
Nominal Power - $P_{MPP}$ (Wp)	181	183	187	190
Nominal Power Voltage - $V_{MPP}$ (V)	27.7	27.8	28.0	28.2
Nominal Power Current - $I_{MPP}$ (A)	6.52	6.58	6.68	6.74
Open Circuit Voltage - $V_{OC}$ (V)	34.4	34.7	34.8	35.0
Short Circuit Current - $I_{SC}$ (A)	7.06	7.11	7.18	7.23

Nominal operating cell temperature NOCT (800 W/m<sup>2</sup>, AM1.5, windspeed 1 m/s, ambient temperature 20°C).

## MAXIMUM RATINGS

Operational Temperature:	-40... +85°C
Maximum System Voltage:	1000 V
Maximum Snow Load:	550 kg/m <sup>2</sup> (5400 Pa)
Maximum Wind Load:	244 kg/m <sup>2</sup> (2400 Pa)
Max Series Fuse Rating:	25 A
Max Reverse Current:	25 A

## CERTIFICATION



IEC 61215, IEC 61730 & UL 1703; MCS,  
IEC 62716 (Ammonia Resistance) IEC 61701 (Salt Mist - severity  
level 6), IEC 60068-2-68 (Blowing Sand)

**take way**  
for an easy way  
take-e-way WEEE Compliant  
Recycling scheme

## WARRANTY

10 year product warranty  
25 year linear power output warranty  
(max. degradation in performance of 0.7% p.a.)  
See warranty conditions for further details.

## MECHANICAL DATA

Dimensions:	1665 x 991 x 38 mm
Area:	1.65 m <sup>2</sup>
Weight:	18 kg

**Note!** Specifications subject to change without notice.

Celebrating its 20th anniversary in 2016, REC is a leading European brand of solar panels. Through integrated manufacturing from polysilicon to wafers, cells, panels and turnkey solar solutions, REC strives to help meet the world's growing energy needs. Founded in 1996, REC is a Bluestar Elkem company with headquarters in Norway and operational headquarters in Singapore. REC concluded 2015 with 2000 employees worldwide, 1.3 GW solar panel production capacity, and annual revenues of USD 755 million.



www.recgroup.com